



UniPOS

UniPOS is a high-tech independent manufacturer of a full range of fire alarm solutions for commercial and industrial applications. Our products are designed to save lives and protect property from the risk of fire.

Based in Pleven, Bulgaria since 1995, **UniPOS** has built a worldwide reputation for innovation, quality and reliability. Today we continue to create, research and realize new ideas for better fire security products, becoming a synonym of high professionalism, flexibility and constant pursuit of renovations.

UniPOS holds its own modern production facilities, testing laboratory and a specialized area for technological check-up, where highly qualified specialists perform tests on 100% of the production.

Innovation drives the company's product development program, with continuous exploration of new technologies helping to deliver leading-edge fire detection solutions.

We created a few generations of distinct ranges and offer analogue addressable, conventional and wireless fire detection devices, as well as a host of ancillary products such as sounders, visual indicators, manual call points and software applications for control and diagnostics.

UniPOS efforts are dedicated to the customers. We accept them mainly as a partners in a high responsible activity and strongly believe that our success would never be so valuable without such cooperation.

Each purchased product goes with an effective Customer Service by facilitating:

Requests processed upon receiving;

Help desk for customer technical support;

Training courses & consultancy - In-house, On site, Video lessons

UniPOS holds in excess a number of product approvals worldwide.

With a network of partners and distributors on four continents, **UniPOS** can deliver tailored, local solutions for its fire detection partners wherever they are in the world.

UniPOS Ltd. reserves its right to alter the specifications of the products, the information about which will be timely updated at the company website www.unipos-bg.com/



UniPOS Factory, 6000 m², Plevan, Bulgaria





FIRE ALARM SYSTEMS

PRODUCT CATALOG
2018







CONVENTIONAL FIRE CONTROL PANELS

Conventional fire alarm systems have been around for many years. They range from simple 1 or 2 zone systems, to systems with over 100 zones. The largest panel we currently manufacture is 32 zones.

Conventional detection offers a good basic system, ideal for small applications, or projects on a tight budget.

The detectors in a zone (or area) of the building are all connected to the same pair of wires. If any of these detectors reports an alarm, a single indication is shown on the control panel, meaning the exact floor location of the alarm is shown.

The sounders are wired on a separate circuit.

An end of line unit is fitted to the last device in each circuit (Detection Zone, or sounder), in order to monitor the line for faults.

Advantages of a Conventional UniPOS Fire Alarm System over an Addressable UniPOS Fire Alarm System

- Control panel & devices tend to be cheaper;
- Simple setup, no configuration required;
- Wide range of compatibility between manufacturers.



TECHNICAL DATA

FIRE DETECTION LINES:

Maximum number of detectors	32
Type of the installation	two-wire
Line resistance	100Ω
Thresholds current values:	
0 – 6 mA	fault condition
6 – 16 mA	duty mode
16 – 80 mA	fire condition
> 80 mA	short circuit
40 – 80 mA	activated manual call point

MONITORED FIRE ALARM LINES (EN54-2, type C):

Number of monitored outputs	2
Type	potential, relay with independent control
Electrical characteristics	(19-27,5)V DC/1 A

RELAY OUTPUTS:

Common fire relay outputs	
Number	2
Type	potential-free, switching
Electrical characteristics	3A/125V AC, 3A/30V DC
Common fault warning relay outputs	
Number	1
Type	potential-free, switching
Electrical characteristics	3A/125V AC, 3A/30V DC

INDICATION OF THE REGISTERED EVENTS:

Light	LED
Sound	built-in buzzer

POWER SUPPLY

Mains supply	
voltage	(187-252)V AC
frequency	50/60 Hz
Backup battery supply:	
battery type	lead, gel electrolyte
number of batteries	2 pcs.
connection	series connection
nominal voltage of the backup battery	12 V DC
nominal capacity C ₂₀	(7,0) Ah
charge voltage	28,0 V DC

Continuance of operation in duty mode	2 lines	Accumulator supply 24V/7,0 Ah	180 hours	Accumulator supply 24V/4,5 Ah	120 hours	Accumulator supply 24V/1,2 Ah	32 hours
on main supply	4 lines		140 hours		98 hours		24 hours
failure:	6 lines		110 hours		80 hours		20 hours
	8 lines		90 hours		68 hours		16 hours

Consumption of backup batteries supply:
 Configuration of 2 lines < 35 mA at 24 VDC
 Configuration of 4 lines < 45 mA at 24 VDC
 Configuration of 6 lines < 55 mA at 24 VDC
 Configuration of 8 lines < 65 mA at 24 VDC

POWER SUPPLY TO EXTERNAL DEVICES:

Voltage	(19-27) VDC
maximum output current (including current of monitored outputs)	1,2 A
DIMENSIONS	304 x 222 x 94 mm
WEIGHT (excluding the backup battery)	0,98 kg
OPERATING TEMPERATURE RANGE	minus 5°C to 40°C
RELATIVE HUMIDITY RESISTANCE (no condensation)	≤ 95%
DEGREE OF PROTECTION	IP 40

FS4000

Fire control panel FS4000 is designed for operating with conventional automatic fire detectors and manual call points. The panel is produced in four versions:

- 2 fire detection lines - FS4000/2
- 4 fire detection lines - FS4000/4
- 6 fire detection lines - FS4000/6
- 8 fire detection lines - FS4000/8

PRODUCTION CAPACITY
1000 ITEMS PER DAY



FUNCTIONAL DATA

- Zone dedicated label and Zone dedicated LED indication for fire, fault, disable;
- Detection for removed fire detector;
- Automatic reset of the fault warning condition;
- Logical "AND" scenario for fire detection lines;
- EN54-2 Disabled condition and Test condition per fire detection line and fire alarm line;
- Direct mode (skip delay) function for each fire detection line;
- Test-LED functionality;
- 8 types optional scenarios for common fire outputs and fire alarm outputs;
- Optional delay time for fire outputs activation - 1,2,3,4,5,6 or 7 minutes;
- Evacuation condition - available on access level 2.
- Optional zone dedicated relay module FD4201, each relay is common fire output corresponding to the relevant fire detection zone;
- RS485 interface for network connection with Repeater panel - optional interface on the FD4201;
- Dedicated status LED indicator for the RS485 interface - it is applicable for Fire Alarm Routing Equipment (EN54-2, type E);
- Access level 2 plastic key;

USER CONFIGURATIONS FOR OUTPUTS ACTIVATION

	Rel 1	Rel 2	Out 1	Out 2
1	Switches ON immediately	Switches ON with time delay	Switches ON with time delay	Switches ON with time delay
2	Switches ON immediately	Switches ON immediately	Switches ON with time delay	Switches ON with time delay
3	Switches ON with time delay	Switches ON with time delay	Switches ON with time delay	Switches ON with time delay
4	Switches ON with time delay	Switches ON with time delay	Switches ON immediately	Switches ON immediately
5	Switches On only in fire condition of line 1	Switches On only in fire condition of line 2	Switches ON with time delay	Switches ON with time delay
6	Switches On only in fire condition of lines 1 or 2	Switches On only in fire condition of lines 3 or 4	Switches ON with time delay	Switches ON with time delay
7	Switches On only in fire condition of lines 1 and 2	Switches On only in fire condition of lines 3 and 4	Switches ON with time delay	Switches ON with time delay
8	Switches On only in fire condition of lines 1,2,3 or 4	Switches On only in fire condition of lines 5,6,7 or 8	Switches ON with time delay	Switches ON with time delay



FD4201 OPTIONAL MODULE

- RS485 interface for network operation with a Repeater panel FS5200R or Graphical monitoring software UniPOS-Intellect;
- Common relay fire output corresponding to the relevant fire detection zone.

TECHNICAL DATA

Interface	RS485
Relay outputs for fire condition	2, 4, 6 or 8
type	potential-free, switching
electrical characteristics	3A/125V AC; 3A/30V DC



FS5100

EVPU
1293-CPD-0290

EN 54-2
EN 54-4



**MORE THAN
10
DISPLAY
LANGUAGES
AVAILABLE**

**PRODUCTION
CAPACITY
100
ITEMS
PER DAY**

CONVENTIONAL FIRE CONTROL PANELS

TECHNICAL DATA

FIRE DETECTION LINES	2,5 or 8
Maximum number of fire detectors in a line	32
Connecting line type	two-wire
Maximum resistance of a line	100Ω
MONITORED FIRE ALARM LINES (EN54-2, type C)	2
Type	potential
Electrical characteristics	(24±5)V/100 mA
COMMON FIRE RELAY OUTPUTS	2 or 5
Type	potential free, switching
Electrical characteristics	3 A/125 V AC, 3 A/30 V DC
COMMON FAULT WARNING RELAY OUTPUTS	1
Type	potential free, switching
Electrical characteristics	3 A/125 V AC, 3 A/30 V DC
INDICATIONS OF REGISTERED EVENTS	
Light indication	LEDs
Text messages	LCD display, 1 line, 16 symbols Latin/Cyrillic characters, backlight
Sound	Built-in buzzer
ACCESS LEVELS TO CONTROL FUNCTIONS	4
POWER SUPPLY	
Mains supply	220/230V AC 50Hz
BACKUP BATTERIES	2 x 12V DC / 7Ah
OPERATION IN DUTY MODE UPON INTERRUPTED MAINS SUPPLY	
Minimum configuration	46 h
Maximum configuration	32 h
CONSUMPTION ON BACKUP BATTERIES SUPPLY IN DUTY MODE AT 24 V	
Minimum configuration	<150 mA
Maximum configuration	<220 mA
POWER SUPPLY TO EXTERNAL DEVICES	
Voltage	(24±5)V DC
Maximum current value (current of monitored outputs included)	1,3 A
WEIGHT (backup batteries not included)	5,2 kg
DIMENSIONS	445 x 327 x 87 mm
OPERATING TEMPERATURE RANGE	minus 5°C to 40°C
RELATIVE HUMIDITY RESISTANCE (no condensation)	93%
DEGREE OF PROTECTION	IP 40

CONFIGURATIONS:

CONFIGURATIONS	MODULES				FEATURES			
	BASIC	POWER SUPPLY	5101	5102	FIRE ALARM LINES	MONITORED OUTPUTS	RELAY OUTPUTS FOR FIRE CONDITION	RELAY OUTPUT FOR FAULT CONDITIONS
MINIMUM	1	1	—	—	2	2	2	1
EXPANDED	1	1	1	—	5	2	5	1
MAXIMUM	1	1	—	1	8	2	5	1

FUNCTIONAL DATA

- Custom keyboard for set-up and user control;
- LCD character display 1 x 16, backlight;
- Fully programmable from the display user-friendly menu structure;
- Zone dedicated label and Zone dedicated LED indication for fire;
- Modular fire alarm panel with optional modules for fire detection lines and fire alarm lines;
- Detection for removed fire detector;
- Automatic reset of the fault warning condition;
- Logical "AND" scenario for fire detection lines;
- Two-staged alarm with Zone dedicated delay time between Alert and Evacuate stages;
- Increase of the delay between Alert and Evacuate stages with Access level 1 manual operation;
- Real time clock and Event log of 84 events;
- RS232 / RS485 interfaces for communication with ARC (Alarm Receiving Centre) and configuration software applications;
- EN54-2 Disabled condition and Test condition per fire detection line and fire alarm line;
- Optional scenarios for common fire outputs and fire alarm outputs;
- Compatible with 3rd party fire detectors with the zone-individual programmable threshold current values.

EXTENSION MODULES:



5101
3 fire detection lines
3 common fire relay outputs



5102
6 fire detection lines
3 common fire relay outputs



RS 232/485
Interface Module

**50 000
CONVENTIONAL
FIRE CONTROL PANELS
SOLD
PER YEAR**



**MORE THAN
10
DISPLAY
LANGUAGES
AVAILABLE**

**PRODUCTION
CAPACITY
100
ITEMS
PER DAY**



TECHNICAL DATA

FIRE ALARM LINES	8, 16, 24 or 32
Maximum number of fire detectors in a line	32
Connecting line type	two-wire
Maximum resistance of a line	100Ω
MONITORED FIRE ALARM LINES (EN54-2, type C)	1 or 2
Type	potential
Electrical characteristics	(24±5)V/500 mA
RELAY OUTPUTS FOR FIRE CONDITION	2, 10 or 18
Type	potential free, switching
Electrical characteristics	3 A/125V AC 3 A/30V DC
RELAY OUTPUTS FOR FAULT CONDITIONS	1
Type	potential free, switching
Electrical characteristics	3 A/125V AC 3 A/30V DC
INDICATIONS OF REGISTERED EVENTS	
Light	LEDs
Text messages	LCD display, 4 lines, 20 symbols Latin/Cyrillic characters, backlit
Sound	Built-in buzzer
ACCESS LEVELS TO CONTROL FUNCTIONS	4
(in compliance with EN 54/2)	
POWER SUPPLY	
Mains	220/230V AC, 50Hz
BACKUP BATTERIES	2 x 12V DC / 12Ah
OPERATION IN DUTY MODE UPON INTERRUPTED MAINS SUPPLY	
Minimum configuration	80 h
Maximum configuration	30 h
CONSUMPTION ON BACKUP BATTERIES SUPPLY IN DUTY MODE AT 24 V	
Minimum configuration	<155 mA
Maximum configuration	<400 mA
POWER SUPPLY TO EXTERNAL DEVICES	
Voltage	(24±5)V DC
Maximal current value (current of monitored outputs included)	1,5A
WEIGHT (backup batteries not included)	6,6 kg
DIMENSIONS	450 x 355 x 115mm
OPERATING TEMPERATURE RANGE	minus 5°C to 40°C
RELATIVE HUMIDITY RESISTANCE (no condensation)	93%
DEGREE OF PROTECTION	IP 40

FS5200



FUNCTIONAL DATA

- Custom keyboard for set-up and user control;
- LCD character display 4 x 20, backlit for individual zone text message;
- Fully programmable from the display user-friendly menu structure;
- Modular fire alarm panel with optional modules for fire detection lines and fire alarm lines;
- Real time clock and Event log of 2500 events;
- EN54-2 Disabled condition and Test condition per fire detection line and fire alarm line;
- Detection for removed fire detector;
- Automatic reset of the fault warning condition;
- Logical "AND" scenario for fire detection lines;
- Optional scenarios for common fire outputs and fire alarm outputs;
- Two-staged alarm with Zone dedicated delay time between Alert and Evacuate stages;
- Increase of the delay between Alert and Evacuate stages with Access level 1 manual operation;
- RS232 / RS485 interfaces for communication with ARC (Alarm Receiving Centre) and configuration software applications;
- Compatible with 3rd party fire detectors with the zone-individual programmable threshold current values;

EXTENSION MODULES:



5201
8 fire detection lines



5202
8 fire detection lines
1 monitored fire alarm lines (EN54-2, type C)



5203
8 common fire relay outputs



5204
16 common fire relay outputs



RS 232/485
Interface Module

POSSIBLE CONFIGURATIONS:

CONFIGURATIONS	MODULES						FEATURES			
	BASIC	POWER SUPPLY	5201	5202	5203	5204	FIRE ALARM LINES	MONITORED OUTPUTS	RELA. OUTPUTS FOR FIRE CONDITION	RELA. OUTPUTS FOR FAULT CONDITION
00 (minimum)	1	1	—	—	—	—	8	1	2	1
01	1	1	—	—	1	—	8	1	10	1
02	1	1	—	—	—	1	8	1	18	1
03	1	1	1	—	—	—	16	1	2	1
04	1	1	1	—	1	—	16	1	10	1
05	1	1	1	—	—	1	16	1	18	1
06	1	1	1	1	—	—	24	2	2	1
07	1	1	1	1	1	—	24	2	10	1
08	1	1	1	1	—	1	24	2	18	1
09	1	1	2	1	—	—	32	2	2	1
10	1	1	2	1	1	—	32	2	10	1
11 (maximum)	1	1	2	1	—	1	32	2	18	1

**MORE THAN
10
DISPLAY
LANGUAGES
AVAILABLE**

**PRODUCTION
CAPACITY
100
ITEMS
PER DAY**

FS5200E

EVPU
1293-CPD-0291

EN 54-2
EN 54-4
EN 12094-1

CE
1293

The FS5200E Fire Extinguishing Control Panel is designed in accordance with European standards EN54-2 and EN54-4 Fire Detection and Fire Alarm Systems - Controlling and indicating Equipment and EN12094-1 Fixed firefighting systems - Component for gas extinguishing systems - Part 1: Requirements and test methods for electrical automatic control and delay devices.

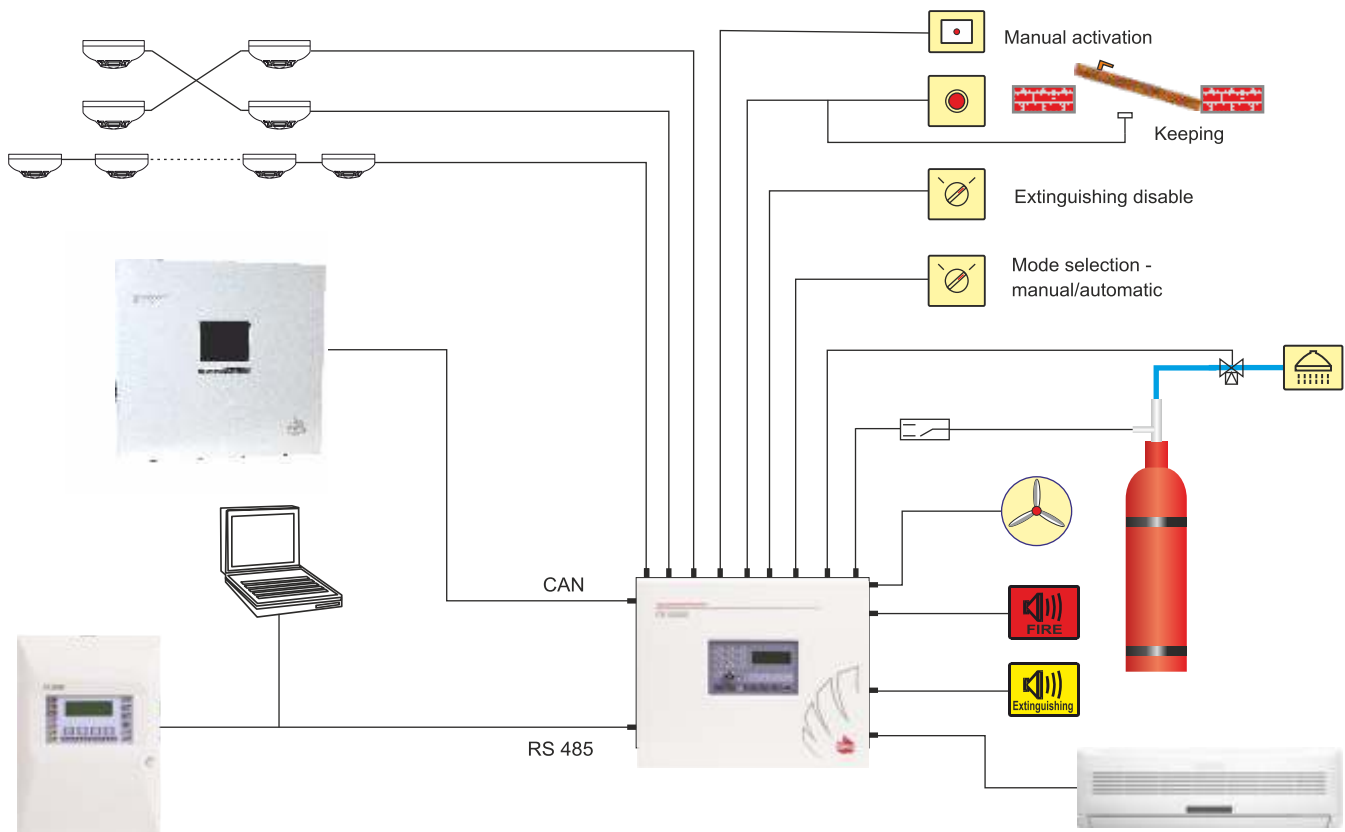


FUNCTIONAL DATA

- Fire detection lines and fire alarm lines are monitored for short-circuit or open-circuit fault;
- Detection for removed fire detector;
- Automatic reset of the fault warning condition;
- Programmable countdown release timer - 0 to 5 minutes;
- Programmable Extinguishant duration timer - 10 sec. to 5 minutes;
- Real time clock and Event log of 100 events;
- CAN interface for networking with the UniPOS Addressable Fire Alarm System;
- RS485 interface for communication with a Repeater panel;
- Optional module for Release pressure condition;
- Optional module for Extinguishing outputs multiplication.

TECHNICAL DATA

FIRE DETECTION LINES	3
For extinguishant release	2
Common Fire detection line	1
MONITORED INPUTS:	
Manual release	1
Hold	1
Disable	1
Mode select	1
Low pressure	1
Released pressure (optional)	1
MONITORED OUTPUTS:	
	potential, relay (24 +/-3)V DC
1 st Stage alarm Sounders	1 / 500mA
2 nd Stage alarm Sounders	1 / 500mA
Extinguishant output	1 / 1500 mA
RELAY OUTPUTS:	
	potential-free, switching 3A/125V AC, 3A/30V DC
Fire condition	3
Fault condition	1
Released pressure (optional)	
OUTPUTS OPEN COLLECTOR TYPE:	
	3
SIGNALIZATION OF REGISTERED EVENTS:	
Sound	built-in buzzer
Light	LED
Text messages	LCD display, Latin/Cyrillic characters,backlit
POWER SUPPLY:	
Mains supply	220/230V AC, 50/60 Hz
Backup battery	2x12V DC, 12 Ah
MAXIMUM CURRENT TO EXTERNAL DEVICES	
	2,5 A / (24±3)V DC
OPERATING TEMPERATURE RANGE	
	minus 5°C to 40°C
RELATIVE HUMIDITY RESISTANCE (no condensation)	
	(93±3)% at 40°C
DIMENSIONS	
	450 x 355 x 115 mm
WEIGHT (excluding the backup battery)	
	6,6 kg





FS5301

REMOTE EXTINGUISHING MODULE

The FD5301 module is compatible with panel FS5200E.

The module application is to duplicate the control and indication of the extinguishing procedure, on suitable remote location.

Basic functions:

- Manual activation of the extinguishing;
- Select one of the panel extinguishing modes (Auto / Manual mode or only Manual mode);
- Disable the extinguishing;
- Hold the extinguishing procedure.

The connection lines are monitored for short-circuit and open line.

The indications for Fire condition stage 2, Gas released, Disable extinguish, Manual mode, Auto mode are available on the FD5301's interface.

TECHNICAL DATA

INDICATION LED	
POWER SUPPLY	28 V DC from the Control Panel or an auxiliary power supply, in compliance with the requirements of EN 54-4
DIMENSIONS	315x220x95 mm
WEIGHT	1,125 kg



FD3050Y
MANUAL RELEASE CALL POINT

EN 54-11
EN 12094-3

A "MANUAL RELEASE" indoor call point with activation and end of line resistor making it compatible with the UniPOS FS5200E Fire Extinguishing Control Panel.

When activating the FD3050Y call point, a manual triggering signal will be received in the FS5200E panel and the countdown release timer procedure will be started.



FD3050B
EMERGENCY HOLD CALL POINT

EN 54-11
EN 12094-3

An "EMERGENCY STOP" indoor call point with activation and end of line resistor making it compatible with the UniPOS FS5200E Fire Extinguishing Control Panel.

The countdown release timer will be restarted from the beginning by each release of the FD3050B emergency hold call point.



FD3050G
EXTENSION RELEASE CALL POINT

EN 54-11
EN 12094-3

A "EXTENSION RELEASE" indoor call point with activation is independent from the UniPOS FS5200E Fire Extinguishing Control Panel. When activating the FD3050G call point, an additional extension agent (carbon, dioxide, halon, argon etc.) will be released.



FD5302
MODE SELECTOR SWITCH

The "MODE SELECTOR" indoor switch with activation and end of line resistor making it compatible with the UniPOS FS5200E Fire Extinguishing Control Panel. After activation of FD5302 the following options become available as follow:
automatic/manual Or manual only extinguishing mode;
disabled extinguishing mode;

**MORE THAN
10
DISPLAY
LANGUAGES
AVAILABLE**

**PRODUCTION
CAPACITY
100
ITEMS
PER DAY**



FS5200R

REPEATER

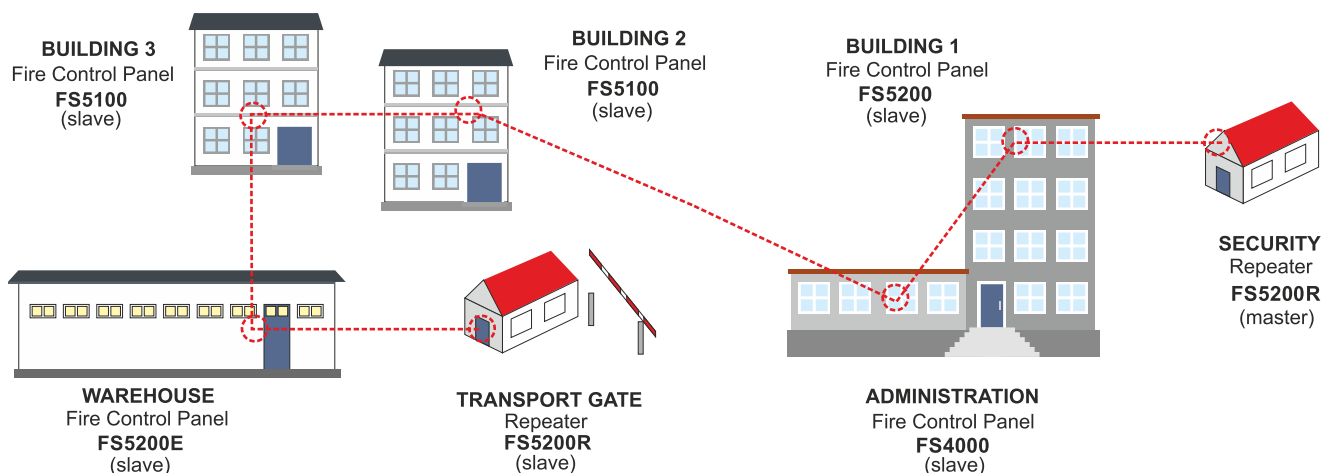
The FS5200R is stand-alone UniPOS Repeater panel compatible with UniPOS Conventional Fire Control Panels and UniPOS Fire Extinguishing Control Panel with:

- EN54-4 compatible built-in Power Supply Unit;
- EN54-2 compatible fire alarm lines and fault warning output;
- Detail information for the Remote Fire Control panels Fault warning Condition and Fire Condition;
- Built-in RS485 interface for network operation on total distance of 1000 meters;
- Compatible with UniPOS FS4000, FS5100, FS5200, FS5200E UniPOS conventional solutions and other FS5200R repeater panels in a single network;
- Real time clock and Event log of 100 events.

EN 54-2
EN 54-4
EN 54-13

TECHNICAL DATA

NETWORK UNIPOS Conventional Panels	15
Monitored fire alarm lines (EN54-2, type C)	(24±3)V DC / 1 Am 2 pcs
RELAY OUTPUTS	potential-free, switching 3A/125V AC, 3A/30V DC
COMMON FIRE	1
COMMON FAULT WARNING	1
INDICATIONS OF REGISTERED EVENTS:	
sound	built-in buzzer
light	LED
text messages	LCD display, Latin/Cyrillic characters,backlit
POWER SUPPLY:	
mains supply	220/230V AC, 50Hz
backup battery	2x12V DC, (1,2 - 4,5) Ah
MAXIMUM OUTPUT CURRENT TO EXTERNAL DEVICES	1,2A /(24±3)VDC
DIMENSIONS	313 x 218 x 85 mm
WEIGHT (excluding the backup battery)	1,6 kg
OPERATING TEMPERATURE RANGE	minus 5°C to 40°C
RELATIVE HUMIDITY RESISTANCE(no condensation)	(92±3)% at 40°C
DEGREE OF PROTECTION	IP 40







CONVENTIONAL FIRE DETECTORS SERIES 8000

The microprocessor conventional point fire detectors of series 8000 are remarkable for their low profile state-of-art design that makes them suitable for the most demanding and prestigious interior. The indication for a Fire condition provides 360° angle visibility by means of the two diametrically situated LEDs.

The bases designed and manufactured with care for the installers allow easy installation and provide interchangeability of all detector types of the 8000 series. Higher reliability of the base electrical connection with the fire detector and with the installation wires is provided by means of double contact spring system. It is produced of nonferrous metal, nickel plated. The additional clear varnish of the electronic components contributes to the normal operation of the fire detectors in aggressive environment. The base is provided with a terminal for connection with a remote indicator. A lock-up mechanism provides protection against theft to the fire detectors installed in the premises.

PRODUCTION
CAPACITY
6000
ITEMS
PER DAY

AVAILABLE
2000
RAL COLOURS
UPON
REQUEST



FD3050
MANUAL
CALL POINT

EN 54-11
EVPÜ
1293-CPD-0276
CE
1293

On Manual triggering action, the indoor FD3050 plastic element is indication of alarm or for inspect evaluation. FD3050 has a built-in dry contact and it's compliant with the European Standard EN54-11 for a type A manual call point.

Optional with:

- protective cover for double action on activation;
- breakable cover seal;



FD8040
FLAME
FIRE DETECTOR

EN 54-10

The fire detector provides a reliable early warning of a fire condition upon detecting the infrared emission of the flame. It is suitable for premises, where other types of fire detectors are not applicable. The fire detector complies with the requirements of the European Standard EN 54-10.



FD8010
FIXED TEMPERATURE
HEAT DETECTOR

EN 54-5
EVPÜ
1293-CPD-0285

The FD8010 Heat Detector algorithm responds when the temperature exceeds a specific threshold. EN54-5 certified and available in two sensitivities A2S or BS is particularly suitable for use in applications, such as boiler rooms and kitchens, where high rates of temperature rise may be sustained for long periods.



FD8020
RATE OF
RISE HEAT DETECTOR

EN 54-5
EVPÜ
1293-CPD-0286
LPCB
LOSS PREVENTION CERTIFICATION BOARD
1107a/02-EN54-5
0832-CPD-1876

The FD8020 Heat Detector algorithm responds when the temperature exceeds a specific threshold and considers the rate of the temperature rise. EN54-5 certified and available in two sensitivities A2R or BR is particularly suitable for use in unheated buildings, such as a garage.



FD8030
OPTICAL-SMOKE
FIRE DETECTOR

EN 54-7
EVPÜ
1293-CPD-0287
LPCB
LOSS PREVENTION CERTIFICATION BOARD
1107b/02-EN54-7
0832-CPD-1878

The FD8030 Photoelectric Smoke Detector is ideal for areas where smoldering fires are a risk and where an early warning of fire is critical. EN54-7 certified and available in three sensitivities is particularly suitable for use in lobby or reception areas, offices etc. The faulty fires are reduced because of the built-in self-compensation algorithm.



FD8060
COMBINED
FIRE DETECTOR

EN 54-5
EN 54-7
LPCB
LOSS PREVENTION CERTIFICATION BOARD
1107c/02-EN54-5/EN54-7
0832-CPD-1880

The FD8060 Multisensor Detector applies both optical and heat sensors. EN54-5 and EN54-7 certified it is particularly suitable for use in conference rooms, storage areas and hospitals.

TECHNICAL DATA

CHARACTERISTICS MODEL	FD 8010	FD 8020	FD 8030	FD 8040	FD 8060
Supply voltage	(10-30)V DC	(10-30)V DC	(10-30)V DC	(12-30)V DC	(10-30)V DC
Duty mode current	44 µA / 24V DC	44 µA / 24V DC	120 µA / 22,5V DC	300 µA / 22,5V DC	120 µA / 22,5V DC
Fire condition current					
- with a base type 8000 or 8000D	(8-25) mA	(8-25) mA	(8-25) mA	(8-25) mA	(8-25) mA
- with a base type 8000R, 8000DR or 8000L	(18-55) mA	(18-55) mA	(18-55) mA	(18-55) mA	(18-55) mA
Terminals	for wires with cross section from 0,5 to 2,5 mm ²				
Degree of protection	IP 43	IP 43	IP 43	IP 40	IP 43
Operating temperature range	minus 10°C to 55°C	minus 10°C to 55°C	minus 10°C to 55°C	minus 10°C to 55°C	minus 10°C to 55°C
Sensitivity and Temperature class	in accordance with EN 54-5, class A2S or BS	in accordance with EN 54-5, class A2R or BR	in accordance with EN 54-7	in accordance with EN 54-10 class 2 (IR)	in accordance with EN 54-7 and EN 54-5, class A2R
Mounting	using bases of series 8000	using bases of series 8000	using bases of series 8000	using bases of series 8000	using bases of series 8000
Dimensions (base incl.)	ø100, h 47 mm	ø100, h 47 mm	ø100, h 47 mm	ø100, h 47 mm	ø100, h 52 mm
Casing material	ABS plastics, white	ABS plastics, white	ABS plastics, white	ABS plastics, white	ABS plastics, white
Weight (base incl.)	0,100 kg	0,100 kg	0,100 kg	0,100 kg	0,100 kg
Protected area	circle with diameter 10 m, h 8m	circle with diameter 10m, h 8m	circle with diameter 15m, h 11m	angle of visibility 90°	circle with diameter 10m, h 8m

BASES



**DB8000
STANDARD
BASE**

Common base, applicable for the standard fire alarm installations.



**DB8000DR
BASE WITH SCHOTTKY
DIODE & RESISTOR**

Combined current threshold base and built-in Diode base for reliability improvement and compatibility.



**DB8000D
BASE WITH
SCHOTTKY DIODE**

Further improvement of the operation reliability through the built-in diode for removed fire detector application.




**DB8000L
BASE
WITH RESISTOR**


Current threshold base for the UniPOS 8000 series compatibility with 3rd party equipment.




**DB8000R
BASE WITH
RELAY OUTPUT**

Trigger base with built-in relay output, applicable for burglar fire alarm systems etc.

- 

AC8001 Flanged surface mounting base accessory (compatible with series 7000 and 8000)
- 

AC8002 Flanged wet surface mounting base accessory (compatible with series 7000 and 8000)
- 

AC8003 Rugged surface mounting base accessory (compatible with series 7000 and 8000)

MORE THAN
ONE MILLION
CONVENTIONAL FIRE
CONTROL DETECTORS =
SOLD!







WIRELESS FIRE ALARM SYSTEM VIT

The UniPOS wireless fire alarm system VIT is suitable for premises where hard-wired fire alarm systems are not applicable because of the interior or architectural design of the building like monuments of culture, churches, museums, etc.

In case of fire event, the results of the combustion are detected from the wireless point fire detector and through radio frequency channel a fire-status message is sent to the VIT01 fire control panel.

Each wireless device has a built-in radio transceiver for frequency range 2,4 GHz, an independent power supply source and a tamper of the device.

The system components installed at the site are organized into a radio network. The maximum number of independent wireless systems at one premise is 16.

The system is in conformity to the requirements of EN 54-25 Standard.

THE WIRELESS SYSTEM WORKS BEST IN OFFICES, FAMILY HOTELS, HOUSES!



VIT01

WIRELESS FIRE ALARM CONTROL PANEL

FUNCTIONAL DATA

- Fully Radio Fire Alarm System installation;
- Compatible with the requirements of EN54-2, EN54-4, EN54-25;
- Real time clock and Event log of 4096 events;
- Optional delay time for fire outputs activation - 1 to 10 minutes;
- User-friendly radio-test available, without additional tools;
- Optional frequency channel - 16 different channels;
- A primary battery plus a secondary battery;
- Tamper control for removed fire detector;
- LCD character display 4 x 20, backlit;
- Fully programmable from the display user-friendly menu structure;
- Zone dedicated LED indication for fire and fault warning condition.

EN 54-2

EN 54-4

EN 54-25

TECHNICAL DATA

Maximum number of routers in the system	6
Maximum number of wireless devices to: controller/system	14/32 (VIT02 addr. not included)
Levels of radio signals retransmitting (via a repeater)	5
Monitored fire alarm lines (EN54-2, type C), (24+/- 3) V DC / 1 Amp	2
Relay outputs	potential free, switching, (3A / 125 V AC, 3A / 30 V DC)
COMMON FIRE	1
COMMON FAULT WARNING	1
Indication of the registered events	light indication, text messages, sound
Operation time in Duty Mode upon interrupted mains supply	72h (2 x 12V / 4.5 Ah) or 24h (2 x 12V / 1.2 Ah)
Nonvolatile archive memory, saving the type, date and time of the events, registered by the Control Panel	up to 4096 events

VIT

WIRELESS FIRE DETECTORS



VIT20
HEAT FIRE DETECTOR

EN 54-5
EN 54-25



VIT30
OPTICAL - SMOKE
FIRE DETECTOR

EN 54-7
EN 54-25



VIT60
COMBINED
FIRE DETECTOR

EN 54-5/-7
EN 54-25



VIT50
MANUAL
CALL POINT

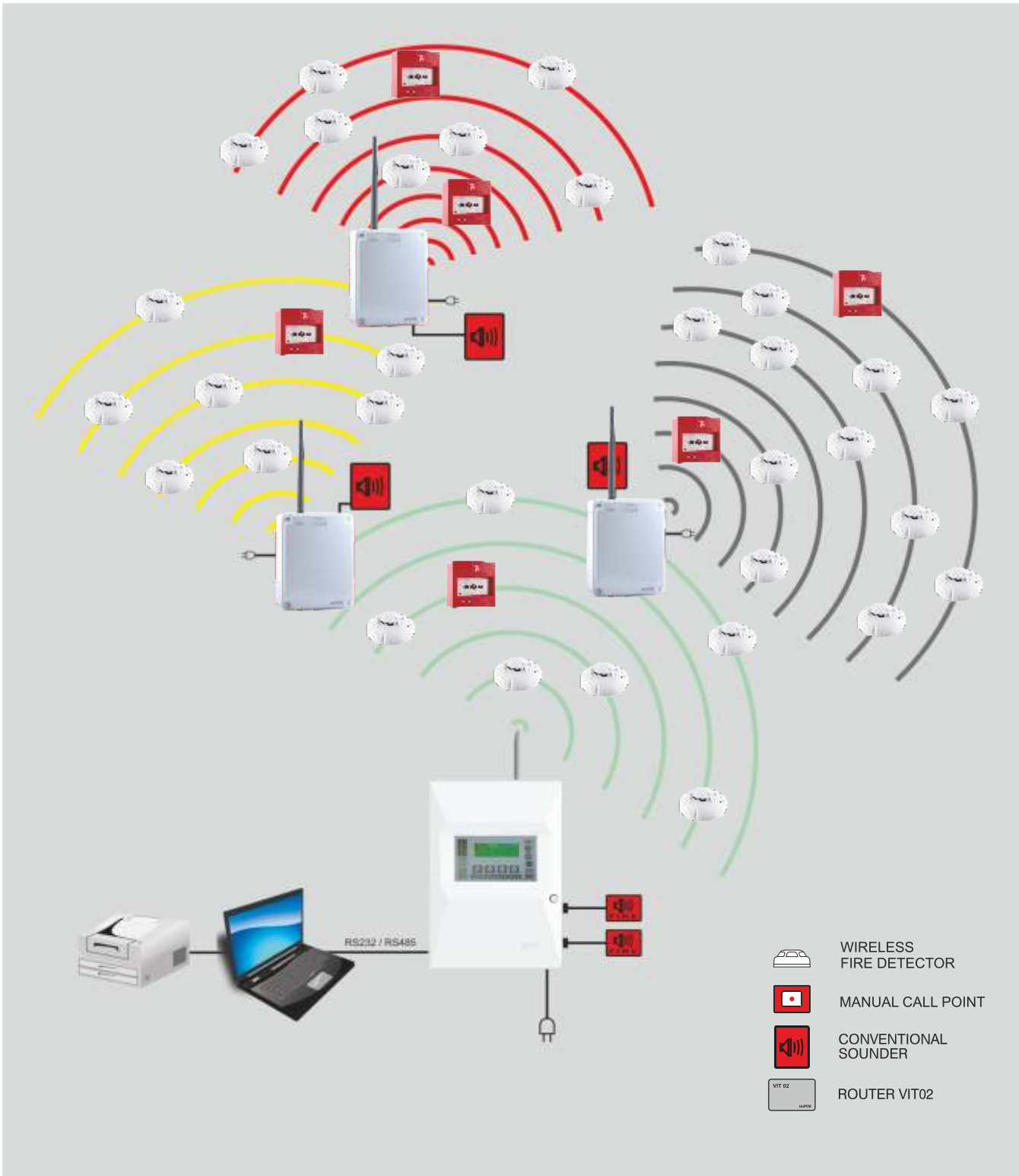
EN 54-11
EN 54-25

VIT02

ROUTER

The VIT02 router performs the features of signal-strength amplifier, configuration expansion module and single-output (EN54-2, type C) addressable module. The router is with stand-alone, EN54-4 Power Supply, applicable for conventional sounders trigger.

EN 54-25







INTERACTIVE ADDRESSABLE FIRE ALARM SYSTEM IFS7000

The Interactive Addressable Fire Alarm System IFS7000 is designed for early detection and alarm of a fire condition, indicating the exact location of the fire or fault event.

A wide range of system components are available - Addressable Fire Control Panel, Repeater panel for remote indication and control, Automatic fire detectors and manual call points, Conventional interface modules, a variety of input/output modules, firmware for panel's network functionality.

The variety of IFS7002 type of panels and the IFS7000 network functionality - IFS7002 fire control panels and repeater panels to communicate with other remote IFS7002 fire control panels and remote repeater panels, makes the system suitable for various applications (schools, libraries, hotels, administrative buildings, etc.)

IFS7002

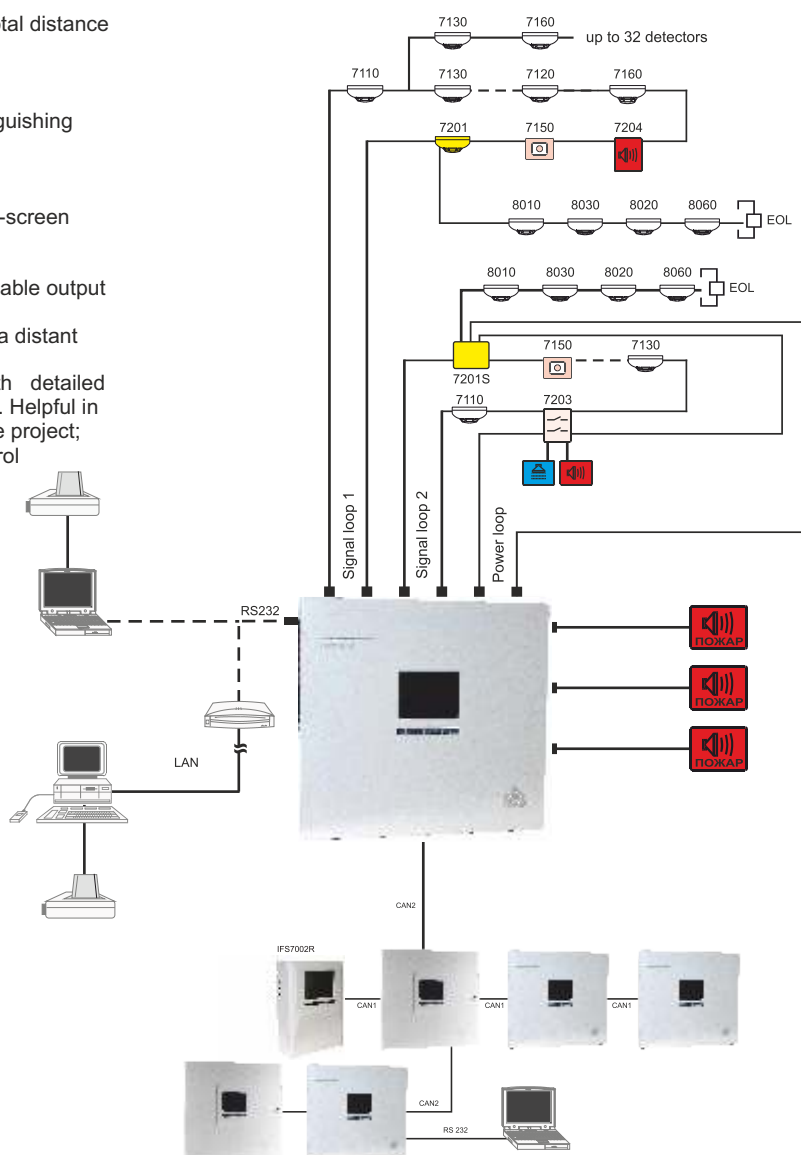
ONE SIGNAL LOOP

FUNCTIONAL DATA

- Fire Control Panel and all devices, connected to the signal loops are fully programmable;
- Bidirectional data exchange between the Control Panel and the signal loop devices;
- Detection of Fault conditions: short circuit or open loop, removed detector or swapped fire detectors, loop's wires connection to "ground";
- Signal loops (with optional branch lines) for connecting of fire detectors, input or output modules, adapters, modules for automatic extinguishing;
- One power loop for supplying of the input / output modules and conventional interface modules (excluding IFS7002 panel with one signal loop);
- Automatic addressing of devices avoiding duplication of addresses;
- Automatic detection of devices type and parameters;
- Programmable delay for the fire outputs activation;
- Option for network operation of 32 pcs. IFS7002 fire control panels and repeaters;
- Option for connection to control station for remote configuration or monitoring in graphical and text mode;
- LED indication for the modes of the Fire Control Panel and the type of the fire or fault events;
- Built-in sound indication;
- Graphic LCD display for text messages visualization;
- Touch-screen activation of the buttons available on the Graphic LCD display;
- Dialogue menus in language selected by the user;
- Built-in PS2 interface for connection of a standard PC keyboard in set-up mode;
- Built-in CAN 2.0B interface for network operation on total distance of 900 meters;
- Interfaces for communication with PC - USB directly;
- Built-in real time clock;
- Option for network operation with FS5200E Fire Extinguishing Control Panel;
- A variety of Test modes and setup options;
- Real-time clock set up;
- Test mode for the light, sound indication and the touch-screen response;
- Testing of the fire alarm zones;
- Programmable 6 modes of activation for each addressable output and test procedure available for their triggering check;
- Remote programming of the system parameters from a distant operator control center;
- Non-volatile archive memory - 1023 events with detailed information regarding the time and the type of the event. Helpful in the analysis of the fire conditions and fault events on the project;
- Option for operation with a graphical software for control and monitoring "UniPOS-Intellect";
- Default fire scenario on start-up;
- User-friendly procedure for networking between IFS7002-1 sequel loop and repeater IFS7002R;

MORE THAN
20
DISPLAY
LANGUAGES
AVAILABLE

PRODUCTION
CAPACITY
300
ITEMS
PER DAY



IFS7002

TWO SIGNAL LOOPS



MORE THAN
20
DISPLAY
LANGUAGES
AVAILABLE

PRODUCTION
CAPACITY
100
ITEMS
PER DAY

EVPÜ
1293-CPD-0292

EN 54-2
EN 54-4

CE
1293

IFS7002

FOUR SIGNAL LOOPS



MORE THAN
20
DISPLAY
LANGUAGES
AVAILABLE

PRODUCTION
CAPACITY
100
ITEMS
PER DAY

EVPÜ
1293-CPD-0292

EN 54-2
EN 54-4

CE
1293

TECHNICAL DATA

Technical data/Control panel	with one signal loop	with two signal loops	with four signal loops
Fire Alarm Loops	1	2	4
Power Loops	-	1	1
Addressable devices in one loop	125	125	125
Cross section of the signal loop wire		0,5 - 2,5 mm ²	
Maximum resistance of the signal loop		100Ω	
Number of devices in one branch		up to 32	
Fire Alarm Zones	up to 64	up to 250	up to 500
Addressable devices in one zone		up to 60	
Response time to detector in fire		up to 10 s	
Registered events in the Counter of fire condition events	up to 9999	up to 9999	up to 19998
Registered events in the nonvolatile archive memory	up to 1023	up to 1023	up to 2046
Power supply:			
mains	220/230V AC, 50 Hz	220/230V AC, 50/60 Hz	220/230V AC, 50 Hz
back up battery	2x12V DC, 7Ah	2x12V DC, 18Ah	2x12V DC, 18Ah
Current consumption of the power loop		up to 1A	up to 1A
Outputs:			
relay, potential-free, switching	3 (3A/125V AC, 3A/30V DC)	3 (3A/125V AC, 3A/30V DC)	3 (3A/125V AC, 3A/30V DC)
monitored, potential	2 (24±5) VDC/0,5A	2 (28V DC/1A)	2 (24±5) VDC/1A
auxiliary supply	1 (24V DC/1A)	1 (24V DC/3A)	1 (24V DC/3A)
Interfaces:			
RS 232	0	1	1
CAN	1	2	2
USB	1	0	0
Dimensions	286x148x125 mm	480x445x100 mm	493x464x110 mm
Weight (back up batteries not included)	1,24 kg	7,1 kg	10 kg
Operating temperature range		minus 5°C to 40°C	
Relative humidity resistance (no condensation)		(93±3)% at 40°C	
Degree of protection		IP 40	
Order number	IFS7002-1	IFS7002-2	IFS7002-4

**MORE THAN
10
DISPLAY
LANGUAGES
AVAILABLE**

**PRODUCTION
CAPACITY
50
ITEMS
PER DAY**



FUNCTIONAL DATA

- Maximum 31 remote panels 7002 network operational with a single repeater 7002R;
- Full status and Full control to the IFS7000 system on the project site;
- Built-in CAN 2.0B interface for network operation on total distance of 900 meters;
- Interfaces for communication with PC – USB directly;
- Graphical LCD touchscreen display and EN54-2 required common LED indications for Fire, Fault warning, Test, Disable conditions of the Fire System;
- Optional language menus relevant to the market requirements;
- 4-wire cable installation only, with failure monitoring and alert signal on power down event on the auxiliary power line.
- Dedicated light remote zone indication;
- Dedicated dry contacts for Fault and Fire;
- Optional power supply: external power supply or PSU dedicated module mounted in the cabinet of the repeater;
- User-friendly procedure for networking with IFS7002-1 panel;
- Default fire scenario on start-up;

IFS7002R

REPEATER FOR INDICATION CONTROL

The IFS7002R repeater panel allow vital information from the IFS7000 system to be transmitted through points around the building, remote from the fire alarm control panels. Distributed at strategic points in a facility - such as nurse stations, floor landings, control rooms - valuable time can be saved when identifying the location of a fire and/or evacuating the building.

TECHNICAL DATA

INDICATION

Light indication	LED
Dedicated light remote zone indication	LEDs
Text message	graphic LCD, 320x240 points, backlit
Sound signaling	built-in sounder

POWER SUPPLY

From the fire control panel connected with the repeater IFS7002R

Voltage	(23±7)V DC
Maximum current value	180 mA

From external power supply (in compliance with EN54-4)

Voltage	(10 - 30)V DC
Maximum current value	310 mA

From PSU module mounted in the cabinet of the repeater

Mains

Voltage	220 – 230V DC / 50 Hz
---------	-----------------------

Back up batteries: 2 pcs., in serial

Battery type	lead, gel electrolyte
Nominal voltage of the back up battery	2×12V DC / 7 Ah
Charge voltage	28V

OUTPUTS

Relay output for fire conditions – 1 pc

Type	potential free, switching
Electrical characteristics	3A/125 V AC; 3A/30 V DC

Relay output for fault conditions – 1 pc:

Type	potential free, switching
Electrical characteristics	3A/125 V AC; 3A/30 V DC

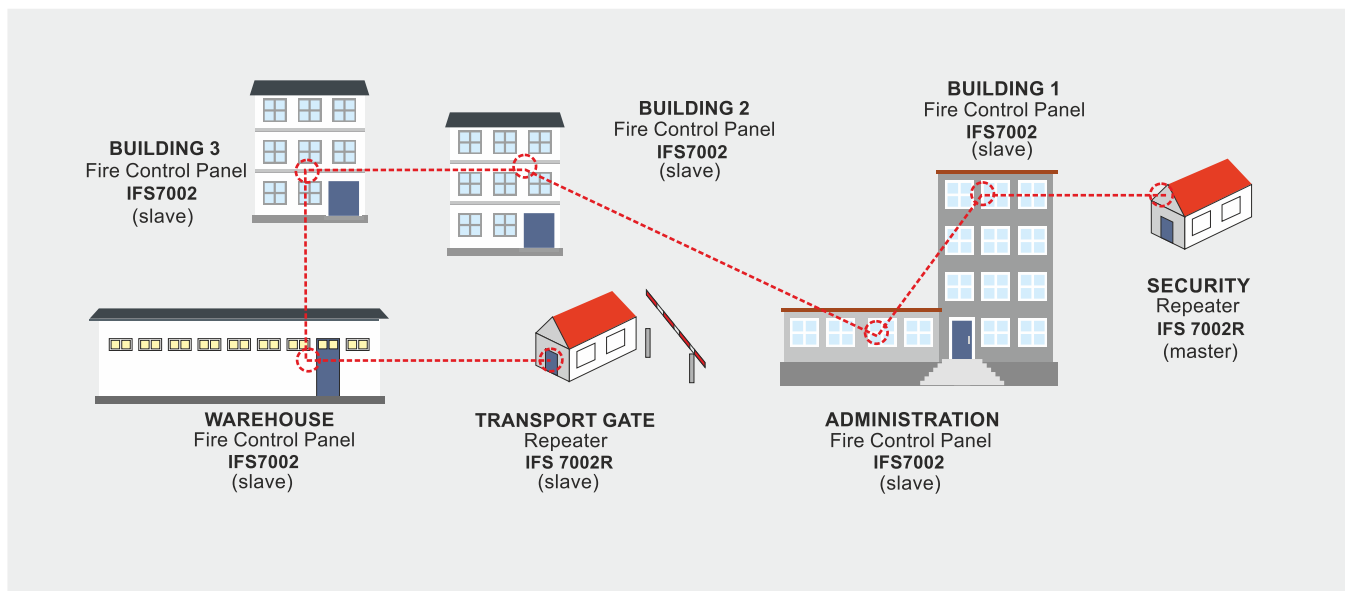
Built-in Interfaces:

Network with IFS7002	CAN 2.0B (up to 32 pcs IFS7002 panels)
USB slave	Directly
PS2: Keyboard for setup and programming	Directly

Dimensions 304 x 222 x 94 mm

Weight 1.240 kg

EN 54-2
EN 54-4
EN 54-13



SERIES 7000

FIRE DETECTORS



FD7110 FIXED TEMPERATURE HEAT DETECTOR

EN 54-5
EVPÜ
1293-CPD-0278

The FD7110 Heat Detector algorithm responds when the temperature exceeds a specific threshold. EN54-5 certified and available in three sensitivity A1S, A2S or BS (user-configured) is particularly suitable for use in applications, such as boiler rooms and kitchens, where high rates of temperature rise may be sustained for long periods.

FD7120 RATE OF RISE HEAT DETECTOR

EN 54-5
EVPÜ
1293-CPD-0278



1107a/01- EN54-5
0832-CPD-1875

The FD7120 Heat Detector algorithm responds when the temperature exceeds a specific threshold and considers the rate of the temperature rise. EN54-5 certified and available in three sensitivity A1R, A2R or BR (user-configured) is particularly suitable for use in unheated buildings, such as a garage.

Remarkable for their state-of-art low profile design, that makes them suitable for the most demanding and prestigious interior. The base allows easy installation and provides interchangeability of the fire detectors. Two diametrically situated LEDs are providing 360° angle visibility. In Duty mode they are flashing for a very short time, and in Fire condition they are continuously flashing. Each fire detector has a built-in short circuit isolator that additionally contributes to the high reliability of the fire alarm system.

The fire detectors are addressable and interactive, ensuring that the exact point of the fire is located. Communication between the fire detectors and the Fire Control Panel is based on the private data exchange protocol UniTALK.



FD7130 OPTICAL- SMOKE FIRE DETECTOR

EN 54-7
EVPÜ
1293-CPD-0280



1107b/01-EN54-7
0832-CPD-1877

The FD7130 Photoelectric Smoke Detector is ideal for areas where smoldering fires are a risk and where an early warning of fire is critical. EN54-7 certified and available in three sensitivity is particularly suitable for use in lobby or reception areas, offices etc. The faulty fires are reduced because of the built-in self-compensation algorithm. Easy to disassemble and clean of the optical smoke chamber, without additional tools.

FD7160 COMBINED FIRE DETECTOR

EN 54-5
EN 54-7
CE
1293



1107c/01-EN54-5/EN54-7
0832-CPD-1879

The FD7160 Multisensor Detector applies both optical and heat sensors. EN54-5 and EN54-7 certified it is particularly suitable for use in conference rooms, storage areas and hospitals. The temperature sensor and the optical smoke sensor are user-configured in 4 different logical modes of operation and sensitivity threshold of each sensor is user-configured, as well.



FD7150 MANUAL CALL POINT

For options see page 12
(FD3050's Additional options).

On Manual triggering action, the indoor FD7150 red LED and plastic element are indication of alarm or for inspect evaluation. Built-in short circuit isolator. Certified on EN54-11 for MCP type A and EN54-17. The communication between the addressable manual call point and the Panel is based on a private UniTalk protocol.

EVPÜ
1293-CPD-0288
EN 54-11



DB7100 STANDARD BASE

Common base, applicable for the standard addressable fire alarm installations.

TECHNICAL DATA

CHARACTERISTICS/MODEL	FD 7110	FD 7120	FD 7130	FD 7160
Operation	microprocessor controlled, fixed temperature threshold trigger on	microprocessor controlled, fixed temperature threshold and rate of rise trigger on	distraction of light, (Tyndall effect) microprocessor controlled	distraction of light (Tyndall effect) fixed temperature threshold trigger on
Supply voltage	(15-30)V DC	(15-30)V DC	(15-30)V DC	(15-30)V DC
Terminals	for wires with cross section of 0,5 to 2,5 mm ²			
Degree of protection	IP 43	IP 43	IP 43	IP 43
Operation temperature range	minus 10°C to 55°C	minus 10°C to 55°C	minus 10°C to 55°C	minus 10°C to 55°C
Relative humidity resistance	(93±3)% at 40°C	(93±3)% at 40°C	(93±3)% at 40°C	(93±3)% at 40°C
Sensitivity and Temperature class	in accordance with EN 54-5, class A1S, A2S or BS	in accordance with EN 54-5, class A1R, A2R or BR	in accordance with EN 54-7	in accordance with EN 54-7 and EN 54-5, class A1R, A2R or BR
Mounting	using base type 7100	using base type 7100	using base type 7100	using base type 7100
Dimensions (base included)	ø100, h 47 mm	ø100, h 47 mm	ø100, h 47 mm	ø100, h 52 mm
Casing material	ABS plastics, white	ABS plastics, white	ABS plastics, white	ABS plastics, white
Weight (base included)	0,100 kg	0,100 kg	0,100 kg	0,100 kg
Protected area	circle with diameter 10m, h 8m	circle with diameter 10m, h 8m	circle with diameter 15m, h 11m	circle with diameter 10m, h 8m

FD7201S

ADAPTERS



EN 54-17
EN 54-18



FD7201S ADAPTER WITH BUILT-IN FIRE DETECTOR

The conventional interface module with built-in rate of rise heat detector is power supplied from the signal loop. Up to 5 modules can be connected in each of the loops. The FD7201 is mounted with base type 7100A. It satisfies the requirements of the European Standard EN54-5, EN54-17 and EN54-18.

FD7201S ADAPTER WITH AUXILIARY SUPPLY

Conventional interface module with external power supply required. It is designed to integrate conventional fire detectors (maximum 32 pcs.) in the signal loop of the IFS002 panel. 125 adapters per IFS7002 signal loop (no limit). Certified on EN54-17 and EN54-18.

TECHNICAL DATA

CHARACTERISTICS/MODEL	WITH BUILT-IN FIRE DETECTOR	WITH AUXILIARY SUPPLY
Supply voltage	(15-30) V DC	(15-30) V DC
Conventional line voltage	(14-30) V DC	(12-30) V DC
Conventional line current		
Fault condition Interruption	(0-2) mA	(0-2) mA
Duty mode	(3-13) mA	(3-13) mA
Fire condition	(14-50) mA	(14-50) mA
Fault condition Short circuit	more than 50 mA	more than 50 mA
Degree of protection	IP 43	
Operating temperature range	minus 10°C to 55°C	minus 10°C to 55°C
Relative humidity resistance	(93±3)% at 40°C	(93±3)% at 40°C
Dimensions	ø100 mm, h 47 mm (base incl.)	92x50x26 mm
Weight	0,100 kg (base incl.)	0,065 kg
Material	ABS plastics, white	ABS plastics, white
Order number	FD7201/7100A	FD7201S

FD7204

ADDRESSABLE SOUNDER



EN 54-3



FD7204 is applicable for sound and LED indication of events registered in Interactive Fire Alarm System IFS7000. FD7204 is certified on EN54-3. The FD7204 sounder is connected to the signal loop of the IFS7002 panel, through the custom UniTalk protocol.

LEDs control:

Duty mode – flash on a period of 16 sec;
Alarm mode – activated continuous ON;
The flash/activation of the LEDs is programmable from the IFS7002's menus.

Technical parameters:

Maximum number of sounders in the IFS7002 signal loop: 25 pcs.
Voltage: 15-30V DC
Current: 6mA at 24 V DC (LED mode, "without flash")
Sound level, type "Slow whoop" at 1m: 90dB (A)
Frequency, pattern "Slow whoop": 0.5 – 1,2 kHz
Temperature: -10°C to +50°C
Dimensions: Ø100, h47mm

FD71CNG

GAS DETECTOR



EN 54-17
EN 54-18



For detection of compressed natural gas (methane) in the protected area. The status is indicated with LEDs and built-in sounder. EN50194-1 compatible on trigger level 5100 ppm CNG (methane) in air, saturation 10% LEL (Low Explosion Level) of the protected area. The signal loop interface line is compatible with the IFS7002 fire control panel.

TECHNICAL DATA

POWER SUPPLY:	
From external power supply (complies with EN54-4)	(18 – 30) V DC
Duty mode current	55 mA
Alarm mode current	75 mA
SIZE / DIMENSION:	
Width	134 mm
Height	112 mm
Length	36 mm
WEIGHT	115 grams
INGRESS PROTECTION	IPX2D
SOUND LEVEL	100 dB at 1m
OPERATION TEMPERATURE RANGE	-5°C to +40°C
RELATIVE HUMIDITY (without condensation)	≤ 95%
CNG trigger level	5100ppm in air (10% LEL)

FD7203

INPUT-OUTPUT DEVICES

The FD7203 range of Input/Output modules are signal loop address modules for input and output signal processing, applicable for flexible cause-effect scenarios. Built-in short-circuit isolators for signal loop and auxiliary power line of the modules, available.



FD7203

1 INPUT 1 OUTPUT



Single input / single output module with optional output modes - common relay output or monitored potential output. LEDs for on-module status indication. Screw terminal block easy to disassemble. Optional flush mounting or on DIN-rail.

FD7203

3 INPUTS 6 OUTPUTS



Applicable in common purpose input/output module mode. Each input and output is individually user-configured. Auxiliary power supply required. Built-in isolators for both signal loop and the auxiliary power line, available.

FD7203

10 INPUTS 16 OUTPUTS



Applicable for two modes of operation:
- common purpose input/output module;
- fire brigade dedicated panel or mimic panel interface module;
Each of the input and output is individually user-configured. Auxiliary power supply required. Built-in isolators for both signal loop and the auxiliary power line, available.

TECHNICAL DATA

MODEL	1 input/1 output	10 inputs/16 outputs	3 inputs/6 outputs
ADDRESS LOOP			
Supply voltage	(15÷30)V DC	(15÷30)V DC	(15÷30)V DC
Current consumption in duty mode	<350µA	<350µA	<350µA
Current consumption in alarm state	(2±1)mA	(3±1)mA	(3±1)mA
POWER LOOP			
Supply voltage	-	(12÷30)V DC	(12÷30)V DC
Current consumption in duty mode	-	<35mA	<3mA
Current consumption in alarm state	-	up to 1A	up to 1A
INPUTS:			
	1	10	3
Electroplated separated programmable	-	8	3
Monitored inputs programmable	1	2	-
OUTPUTS:			
	1	16	6
Relay with programmable functions	1 (0)*	3	5
Type	Potential free, switching	Potential free, switching	Potential free, switching
Power supply specifications	1A/30V DC, 0,5A/125V AC	1A/30V DC, 0,5A/125V AC	1A/30V DC, 0,5A/125V AC
Monitored with programmable functions			
	0(1)*	2	1
Type	potential	potential	potential
Power supply specifications	(12-30)V DC	(12-30)V DC	(12-30)V DC
Peak activation current	400mA	150mA	200mA
Open collector with programmable functions			
	-	11	-
Peak voltage at the output	-	30V DC	-
Peak activation current	-	35mA	-
OPERATIONAL TEMPERATURE RANGE			
	minus 5°C to 40°C	minus 5°C to 40°C	minus 10°C to 55°C
RELATIVE HUMIDITY RESISTANCE			
	≤ 95%	≤ 95%	(93±3)% at 40 °C
DIMENSIONS			
	(90x66x22) mm	(313x218x85) mm	(120x164x74) mm
WEIGHT			
	0,075 kg	1.170 kg	0,250 kg
ORDER NUMBER			
	FD7203IO	FD7203O	FD7203

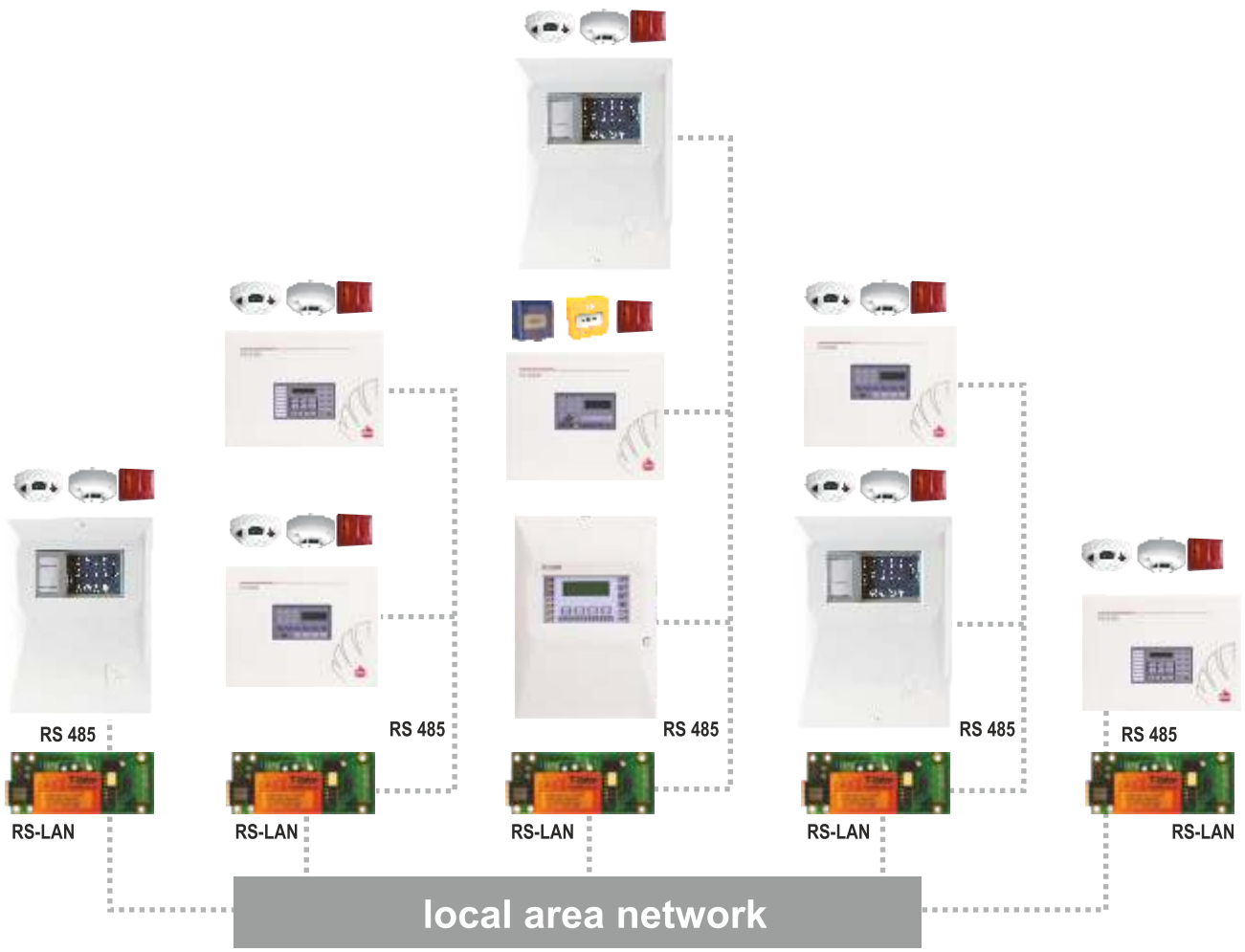
* - The output can be potential-free or monitored, depending on the set-up



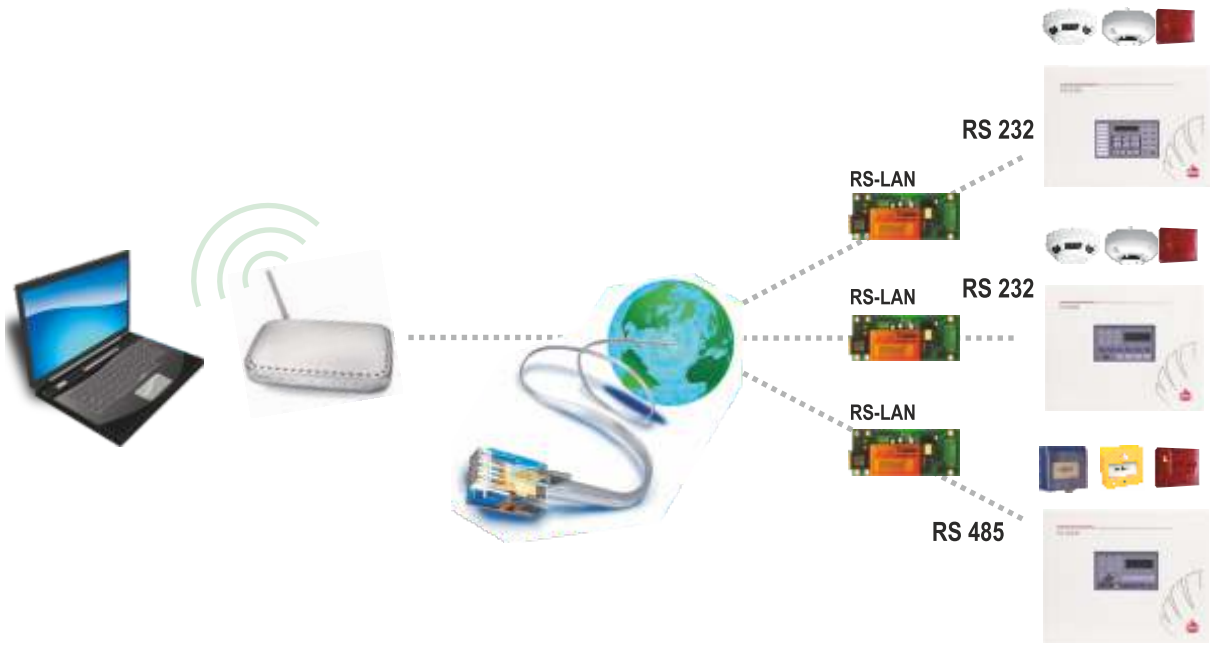


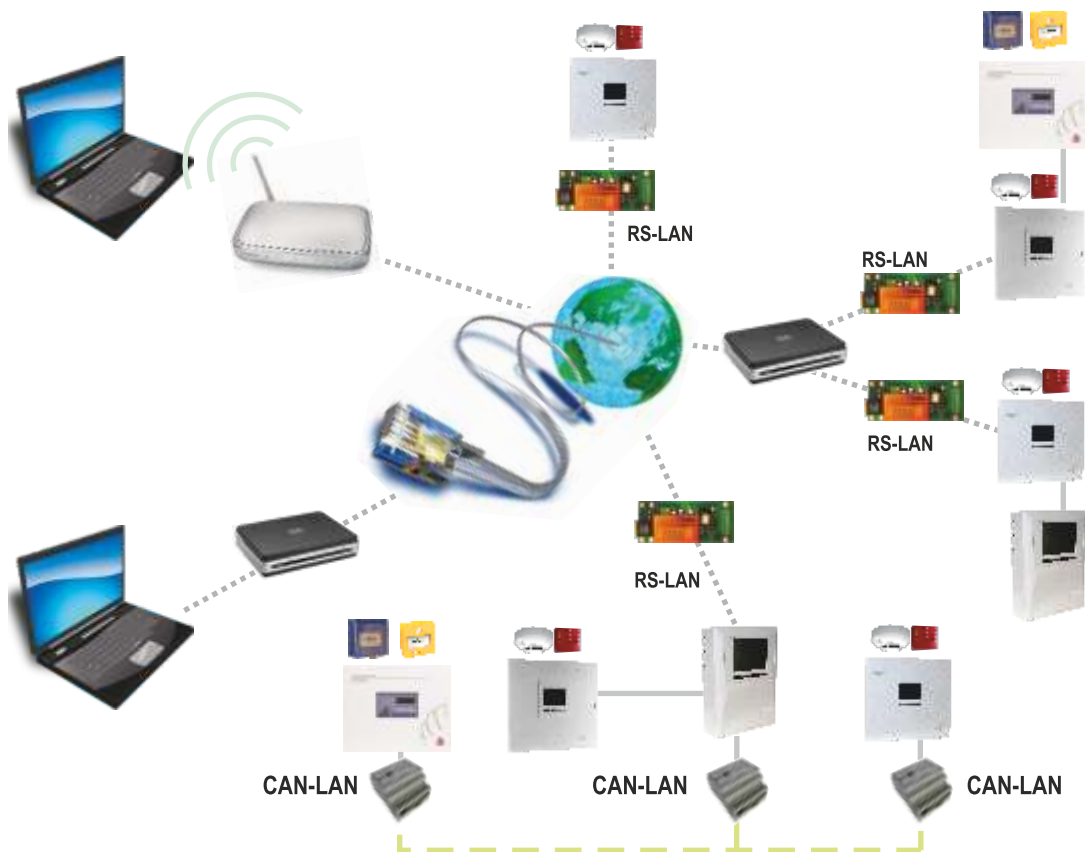
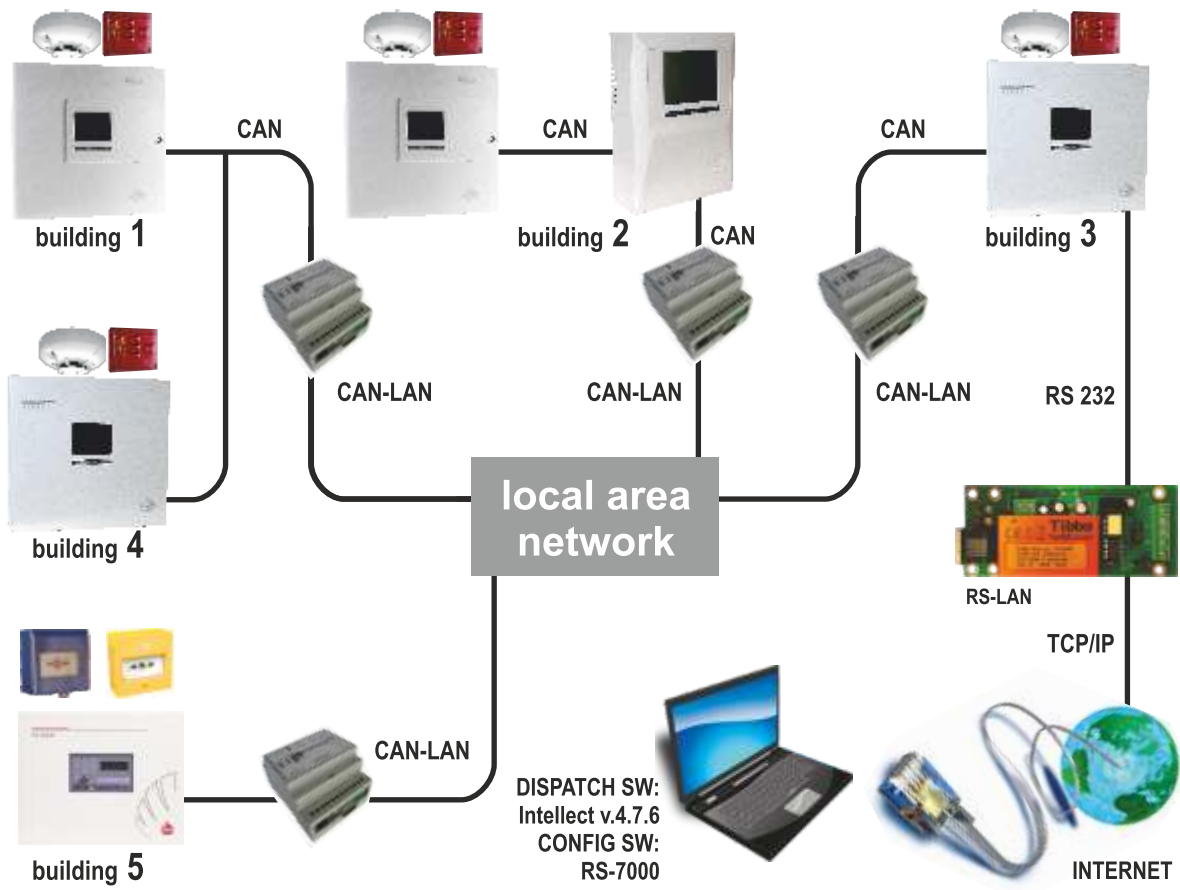
NETWORK SOLUTIONS

CONVENTIONAL NETWORK EXPANSION



REMOTE ACCESS FOR SUBSCRIPTION SERVICING





UniPOS-INTELLECT

SOFTWARE

The UniPOS-Intellect software solution is used for applications where additional graphical information and video surveillance of the fire and fault events are required.

The Graphical monitoring equipment is consist of an IFS7000 addressable fire alarm system, connected to one or more personal computers with installed server, administrator or client UniPOS-Intellect application mode.

That software environment enables the user to monitor easily the fire alarm system by means of an interactive map of the site and to maintain an archive of the registered events and the actions of the operator.

Video cameras might be installed in certain zones as the image from them could be visualized on the monitor simultaneously with the activation of the fire alarm system.

The information, provided by the video cameras assists for quick and accurate surveillance of the situation and undertaking the required actions without leaving the working place.

Remote dispatch of the protected area not only from a PC, but using a mobile phone or other communication service.

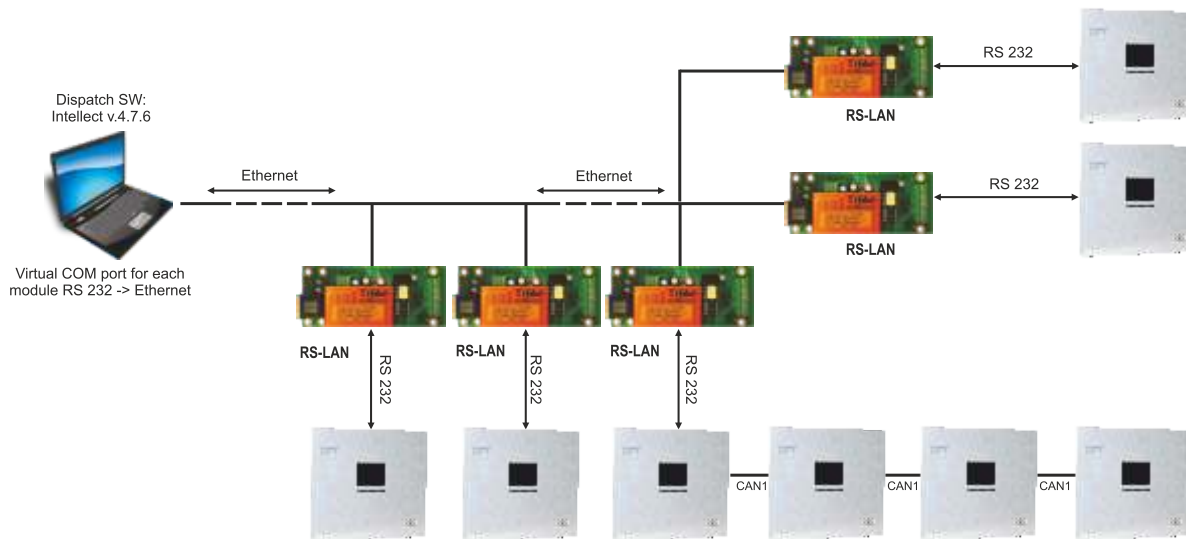
**Intelligent software solution
in the field of security systems,
ensuring:**

- Reliable fire alarm system;
- Improves the protection of people and facilities;
- Immediate and accurate surveillance of the protected area from your workplace;
- Flexible application available for functional upgrade.



FUNCTIONAL DATA:

- Each security system element (fire detector, fire alarm panel, security door, video camera etc.) is represented as a virtual object (pictogram) for the end user;
- Basic and programmable scripts and macros allow the setup of various scenarios in a response to a triggered security event;
- Multi-functional, multi-layer map of the protected area with corresponding labels for each security device.
- Scaling option of the map layer objects (floors);
- Event log service with programmable parameters;
- Map visualization and local sound alarm on a security event triggering.



UltraPos 7000 FSA 1(1)

System message
Configuration: 10/11/18 10:11:18 AM

Stop local beepers
Switch to "Fire 2"
Increase time to "Fire 2"
Reset "fires"/"inputs"
Synchronise time
Supress/Activate Sounders

Source	Event	Region	Add. info	Date and time
FireContnPanel LOCAL 1.20	System message		Action executed: Reset fires	23.1.2018 r. 9:52:50
FireContnPanel LOCAL 1.21	System message		Action executed: Stop beeper	23.1.2018 r. 9:52:52
FireContnPanel LOCAL 1.22	System message		Action executed: Stop beeper	23.1.2018 r. 9:52:58
FireContnPanel LOCAL 1.23	System message		Action executed: Stop beeper	23.1.2018 r. 9:53:00
FireContnPanel LOCAL 1.24	System message		Action executed: Stop beeper	23.1.2018 r. 9:53:02
FireContnPanel LOCAL 1.1	Reset Fire			23.1.2018 r. 9:53:16
FireContnPanel LOCAL 1.15	Reset Fire			23.1.2018 r. 9:53:29
FireContnPanel LOCAL 1.20	Reset Fire			23.1.2018 r. 9:53:32



FS5200P

POWER SUPPLY DEVICE

The Power Supply Device FS 5200P is an autonomous power supply unit of combined type with a backup battery and charging module.

The FS5200P device application is to supply power for the devices of evacuation equipment, fire alarm and fire protective equipment.

In case of a Fault condition (no mains supply, discharged or disconnected backup battery, burnt fuse) a fault relay output is activated.

For a light signaling of the various conditions are used green and yellow built-in Yellow and Green status indicators.

The device is in compliance with the European Standard EN 54-4.

EN 54-4

TECHNICAL DATA

Input voltage	(187-253)V AC, 50 / 60 Hz
Maximum consumption capacity	120 VA
Output voltage	(17-28)V DC
Output current (in the presence of mains power supply)	up to 3,5 A (continuous)
Output current (in the absence of mains power supply and fully charged backup battery)	3,5 A (up to 2 h)
Over-discharging protection	below 17V DC
Output for Fault condition	relay, potential free, switching 1 A / 30V DC
Backup battery	2x12V DC / 7 Ah
Dimensions	330x305x80 mm
Weight (excluding the backup battery)	4,1 kg
Operating temperature range	minus 5°C to 40°C
Relative humidity resistance	(92±3)% at 40°C
Degree of protection	IP 30



TECHNICAL DATA

Speed of the airflow into the air conduit	0,5 ± 20 m/s
Existence of a mechanical filter of the input and the output	Yes
Base type of the mounted fire detector	DB8000D (DB7100)
Type of the mounted Fire Detector	FD8030 (FD7130)
Type of the mounted Remote Indicator	RI31
Option for installation of a different type smoke detectors	Yes
Dimensions	
(without the inlet tube, the outlet tube and the (nozzles)	200x120x114 mm
Inlet tube dimensions	ø22 x 200 mm
Outlet tube dimensions	ø22 x 70 mm
Weight	1,3 kg

YKB02

DUCT SMOKE DETECTOR

Duct smoke detector YKB-02 is designed to detect the presence of smoke in airstream of ductwork sections or ventilating compartments, by means of the smoke detector mounted in it.

Depending on type of the fire detector mounted in it, duct smoke detector is produced in two versions - for Conventional Fire Alarm Systems (YKB-02K) and for Addressable Fire Alarm Systems (YKB-02A).

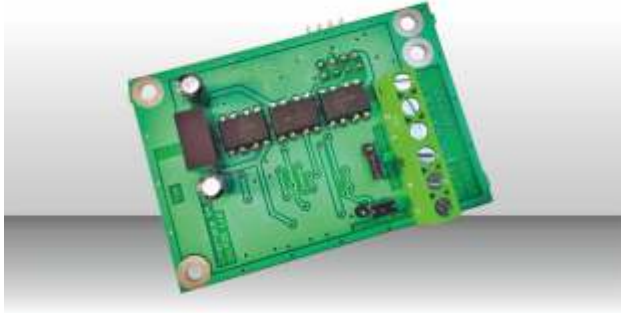
Built in the cabinet is an automatic optical-smoke fire detector type FD8030 (for Conventional Systems) or type FD7130 (for Addressable Systems).

In order to control the condition of the built-in fire detector, on the housing of the duct smoke detector is mounted a LED Remote Indicator RI31.

Product design is based on the laws of Aerodynamics. Part of the air flow runs through the opening holes of the inlet tube, passes through the duct smoke detector and goes out through the outlet tube reducing its speed. The mounted mechanical filters stop the large particles from the airflow and thus they protect the sensitive element of the fire detector from dust contamination.

In case of smoke in the main air conduit, part of this smoke goes through the duct smoke detector and activates the fire detector, as sending signal to the Fire Control Panel and to the outboard Remote indicator.

RS232/485 INTERFACE MODULE



Fully compatible with the FS5100 and FS5200 UniPOS conventional panels. Applicable for PC application and Conventional Network Repeater integration.

TECHNICAL DATA

Power Supply	(5±0.25)VDC
(The module is power supplied from the fire control panel via a ribbon cable)	
Nominal current	10mA
Operational temperature range	minus 5°C to 40°C
Relative humidity resistance	(93±3)% at 40°C
Dimensions	(67x50x44) mm

RS-LAN INTERFACE MODULE



The interface module RS-LAN is an optional device for network communication of the fire control panels, manufactured by UniPOS with a personal computer through Ethernet network (LAN or internet). The software required for the module compatibility with a PC are drivers for Virtual COM port and application software for fire alarm panels configuration.

The configuration application and the Virtual COM port drivers are free.

The module RS-LAN is an interface converter (RS232<->TCP/IP, RS485<->TCP/IP), designed to "break" the limits of the maximum distance in the network and monitoring applications of the fire alarm systems.

Module RS-LAN has two main applications:

- to support the communication between a computer and one or several fire alarm systems by means of interface RS232;
- to establish a network of conventional fire alarm systems and a repeater for indication FS5200R by means of interface RS485.

TECHNICAL DATA

Power supply	(12-28)V DC
(The module could be power supplied from user voltage in the fire control panel or from an auxiliary PC)	
Current consumption	up to 40mA
Operational temperature range	minus 5°C to 40°C
Relative humidity resistance	(93±3)% at 40°C
Dimensions	(130x110x22) mm



RS-232«»RS-485 BMS INTERFACE MODULE



The UniPOS-BMS Converter is an RS-232«»RS-485 interface module used to interface various third party Modbus Compatible equipment (PLC - Programmable Logic Controllers equipment) to the UniPOS Interactive Fire Alarm System IFS7000.

TECHNICAL DATA

Interfaces	RS232 (UniPOS UniTALK protocol) RS485 (Modbus protocol)
Number of 7002 panels	Maximum 14 pcs. in IFS7000 Network
Power supply	(12-30)V DC
Current consumption	up to 60mA
Operational temperature range	minus 5°C to 40°C
Relative humidity resistance	(93±3)% at 40°C
Dimensions	(130x110x22) mm

	RI31	LED Remote Indicator
	RI31S	Sound Remote Indicator
	SB112F	Outdoor sounder – metal box, with flash – 118dB,16-30V
	8204C	Conventional indoor sounder – sound and LED indication of events; ABC – 90dB, 15-30V
	8000S	Base for sounder
	RM1	Output relay module (8A/250VAC) for connection to a fire control panel 28 VDC outputs
	RM2	Output relay module (8A/250VAC) for connection to a fire control panel monitored output
	RM3	Output relay module (8A/250VAC) for connection to a fire detector remote indicator
	RU4	Output relay module (4 outputs, 8A/250VAC, NO/NC) for connection to a fire control panel
	RU8	Output relay module (8 outputs, 8A/250VAC, NO/NC) for connection to a fire control panel
	DNP508	Overvoltage protection
		Zener barrier for explosion protection of hazardous areas
		Plastic Transparent Cover for Manual Call Point FD3050 and FD7150
		Accessory for Input - Output Devices model 7203 1/1



100% OF THE PRODUCTS IN STOCK!



How we

do it?





Office building UniPOS
1 Efr. Nikola Paskalev Str., Mladost 1, Sofia 1748, Bulgaria
Phone: +359 2 97 439 25, +359 2 97 444 69

47 San Stefano Str., Pleven 5800, Bulgaria
Phone: +359 64 891 100

www.unipos-bg.com